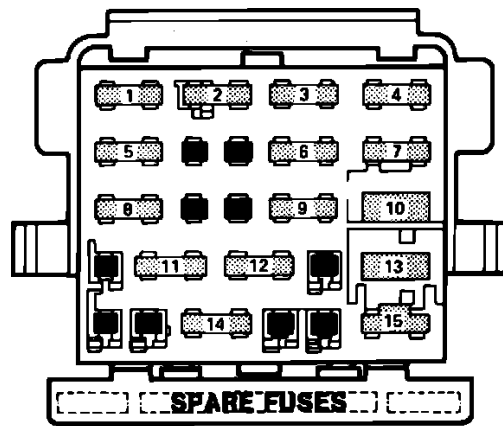
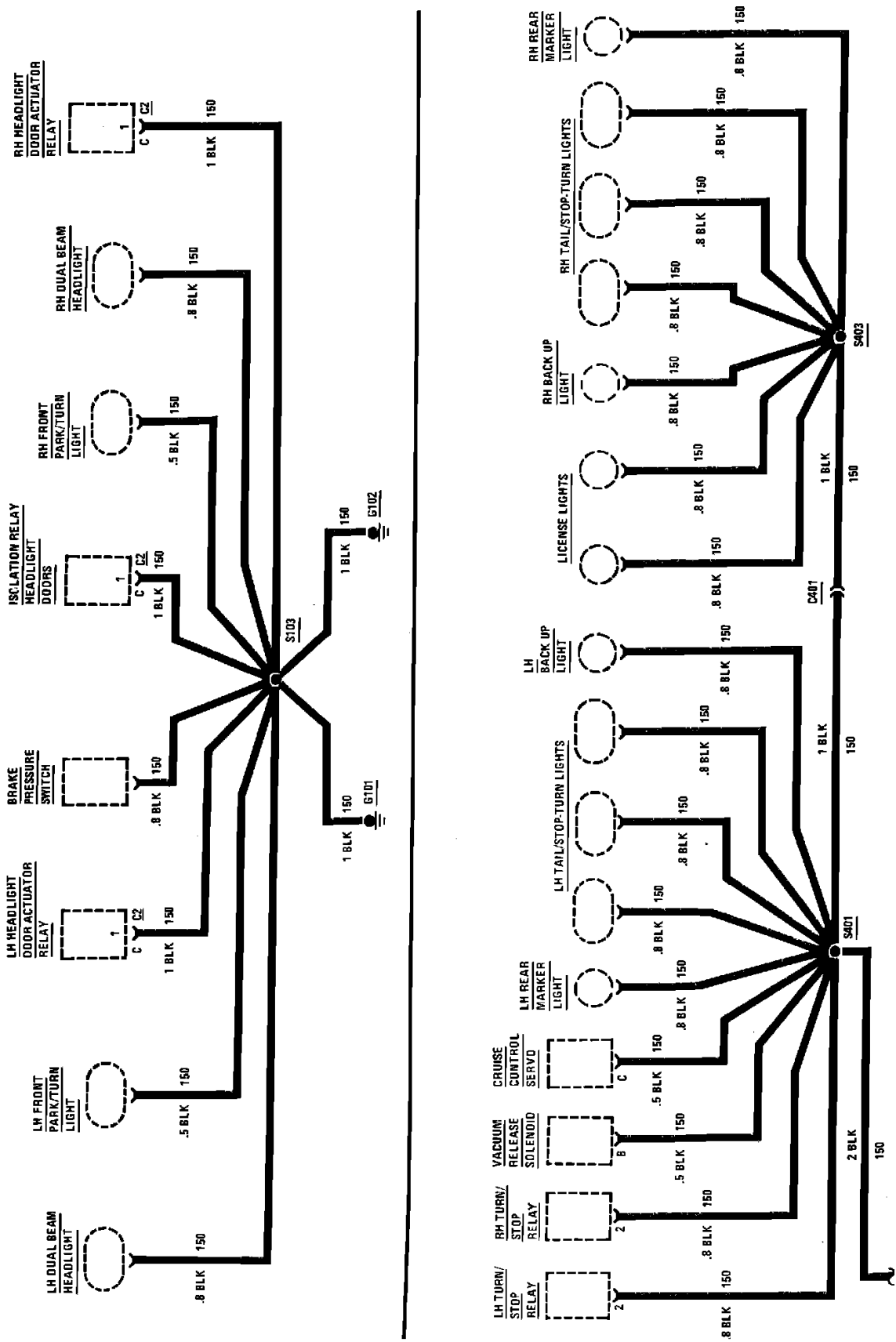


Fuse and Fusible Links

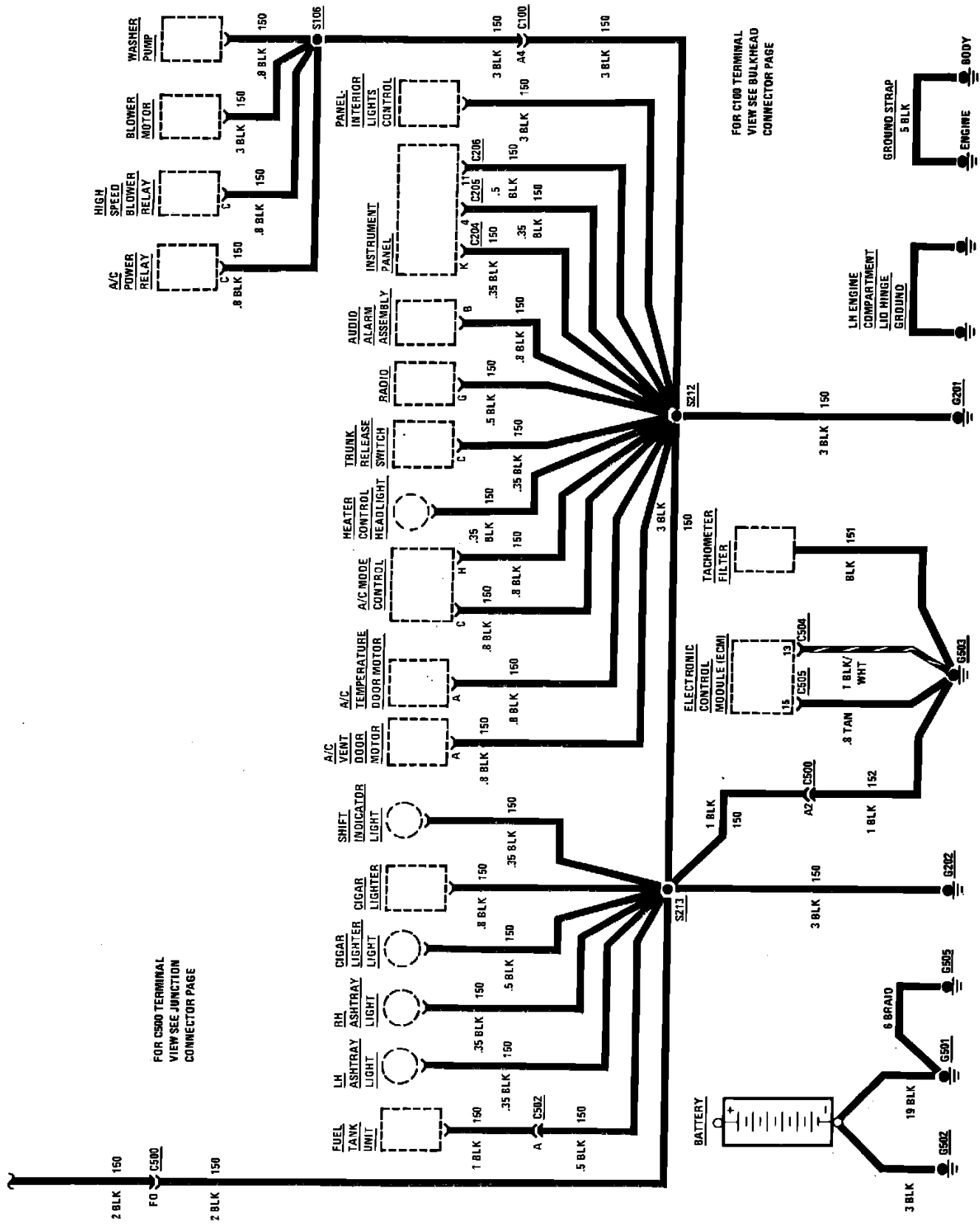


- ① FUSE 10 AMP. IGN. RED
(E. F. I. E. C. M. & INJ.)
(C. C. C., E. C. M.)
- ② FUSE 10 AMP. IGN. RED (FUEL PUMP
RELAY & OIL PRESSURE SW. FEED)
- ③ FUSE 20 AMP. BATT. YEL. (STOP
LAMP SW., HAZARD FLASHER, CHIME)
- ④ FUSE 20 AMP. IGN. YEL.
(COOLANT FAN RELAY COIL)
- ⑤ FUSE 20 AMP. IGN. YEL. (TURN
SIGNAL FLASHER, BACK-UP LAMPS)
- ⑥ FUSE 20 AMP BATT. YEL (TAIL LAMPS,
PARKING, SIDE MARKER & LICENSE
LAMPS)
- ⑦ FUSE 20 AMP. IGN. YEL.
(HEATER, A/C)
- ⑧ FUSE 20 AMP. IGN. RED (C49 RELAY,
C49 OFF ON SW, CHIME, VOLTMETER,
CRUISE, V. S. S., A/C RELAY T. C. C.
BRAKE SW. & R. R. DECK LID)
- ⑨ FUSE 20 AMP BATT YEL (DOME LAMPS, HORN
RELAY, CLOCK, LIGHTER, POWER LOCKS
RELAY, POWER MIRROR)
- ⑩ CIRCUIT BREAKER 30 AMP.
(POWER WINDOWS)
- ⑪ FUSE 5 AMP. IGN. TAN (INST.
PANEL LAMPS, HEADLAMP WARNING)
- ⑫ FUSE 10 AMP. IGN. RED
(RADIO FEED & CRUISE)
- ⑬ CIRCUIT BREAKER 30 AMP.
(AU3/C49) (POWER LOCKS, REAR DEFOG)
- ⑭ FUSE 20 AMP. IGN. YEL.
(WINDSHIELD WIPER MOTOR)
- ⑮ FUSE 3 AMP. IGN. TAN
(CRANK SIGNAL TO E. C. M.)

Fuse Panel & Data



Ground Distribution Circuit
Part 1 of 2



Ground Distribution Circuit

Connectors

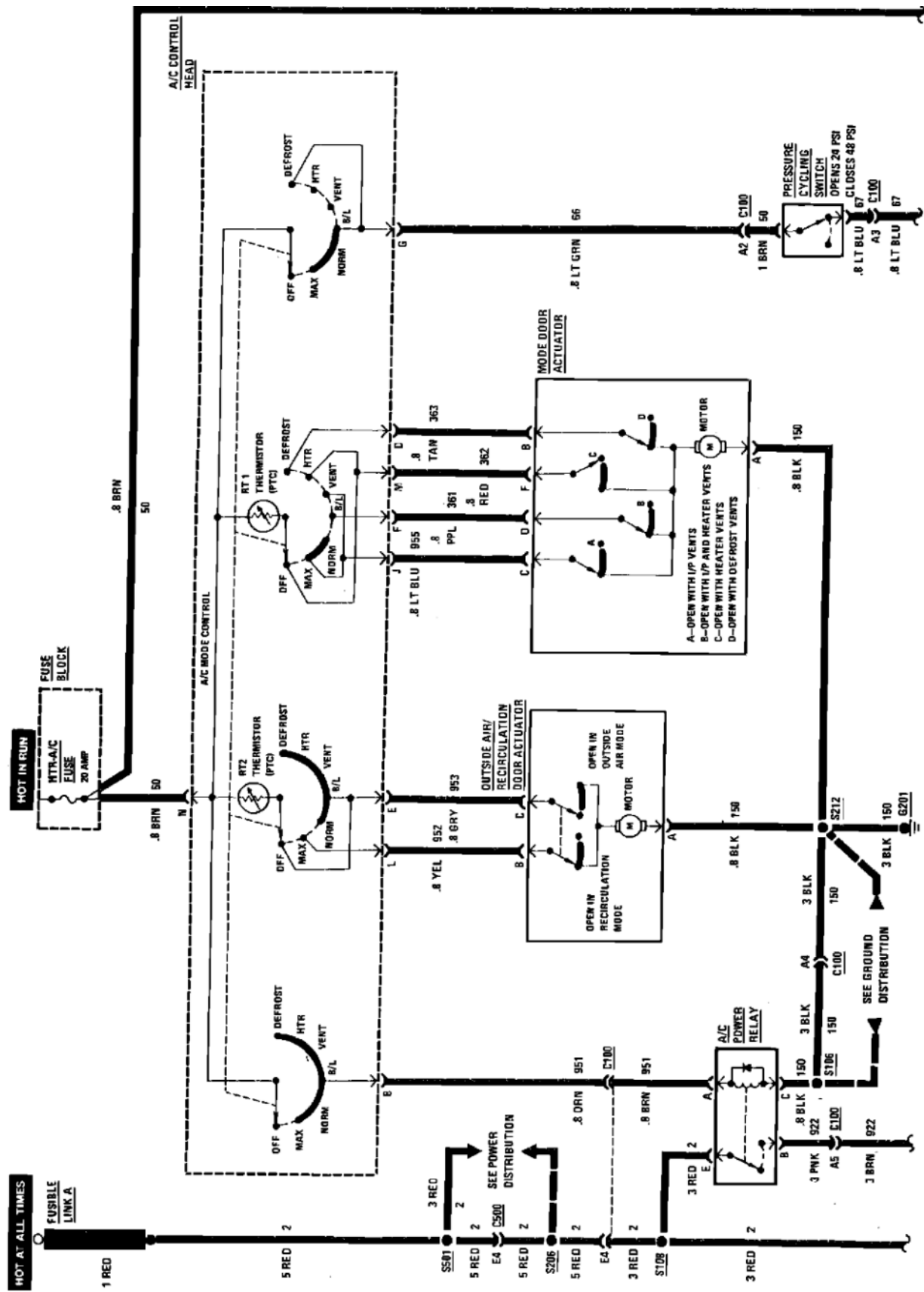
C100-LH Side Of Front Bulkhead, Right Of Brake Master Cylinder
 C101-Near RH Side Of LH Headlamp Assembly
 C102-Near LH Side Of RH Headlamp Assembly
 C200-LH Shroud Ahead Of Center Access Hole
 C201-LH Shroud Above Center Access Hole
 C203-Between Seats, In Front Of Rear Bulkhead
 C204-LH Lower Edge Of Cluster
 C205-Behind LH Side Of Cluster
 C206-Behind RH Side Of Cluster
 C207-Behind Dash, Near Windshield Wiper Switch
 C208-Center Of Dash, Behind Radio
 C209-Behind LH Side Of I/P, Near Shroud
 C210-Lower RH Side Of Steering Column
 C235-Middle Of Steering Column, LH Side
 C302-Near LH Side Of Rear Window
 C303-LH Shroud, Near Center Access Hole
 C304-RH Shroud, Near Center Access Hole
 C305-Behind Dash, Near LH Shroud
 C306-Behind Dash, Near RH Shroud
 C307-Near Center Of LH Shroud
 C308-Near Center Of RH Shroud
 C309-Behind LH Seat
 C310-In LH Door, Below Mirror
 C311-In RH Door, Below Mirror
 C312-Under Driver's Seat
 C313-Under Passenger's Seat
 C401-Taped To Rear Lights Harness, To Right Of License Plate Lamps
 C402-LH Front Corner Of Trunk Lid
 C500-Engine Compartment, Center Of Rear Bulkhead
 C501-LH Rear Of Engine
 C502-Engine Compartment, Center Of Rear Bulkhead
 C503-Engine Compartment, Center Of Rear Bulkhead
 C504-Lower End Of ECM
 C505-Lower End Of ECM
 C506-Rear Of Engine, Near Distributor
 C507-Lower Front, LH Side Of Engine
 C508-Rear Of Engine, LH Side Of Transmission

Grounds

G101-On LH Fender, Below Headlamp
 G102-On RH Fender, Below Headlamp
 G201-Behind Dash, Near Center
 G202-Between Seats, Near Rear Bulkhead
 G203-On Side Of RH Steering Column Support
 G301-On Upper RH Shroud
 G302-LH Outside Of Floor Pan, Below Parking Brake
 G303-On RH "B" Pillar
 G501-RH Side Of Engine, Below Oil Fill Cap
 G502-RH Rear Fender, Near Battery
 G503-LH End Of Engine, Above Transmission
 G504-Top Front, LH Side Of Engine

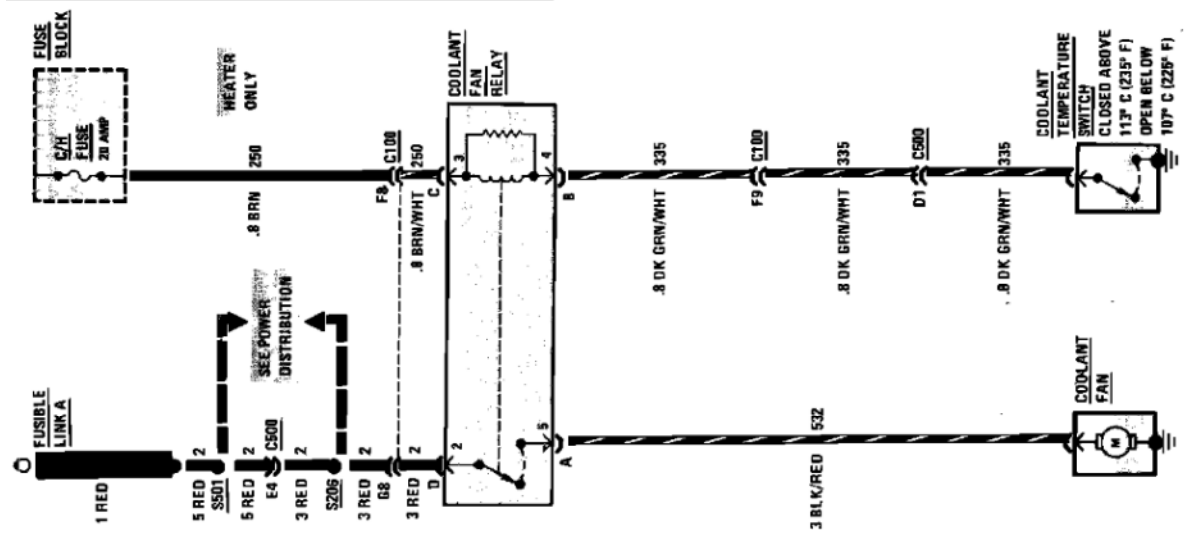
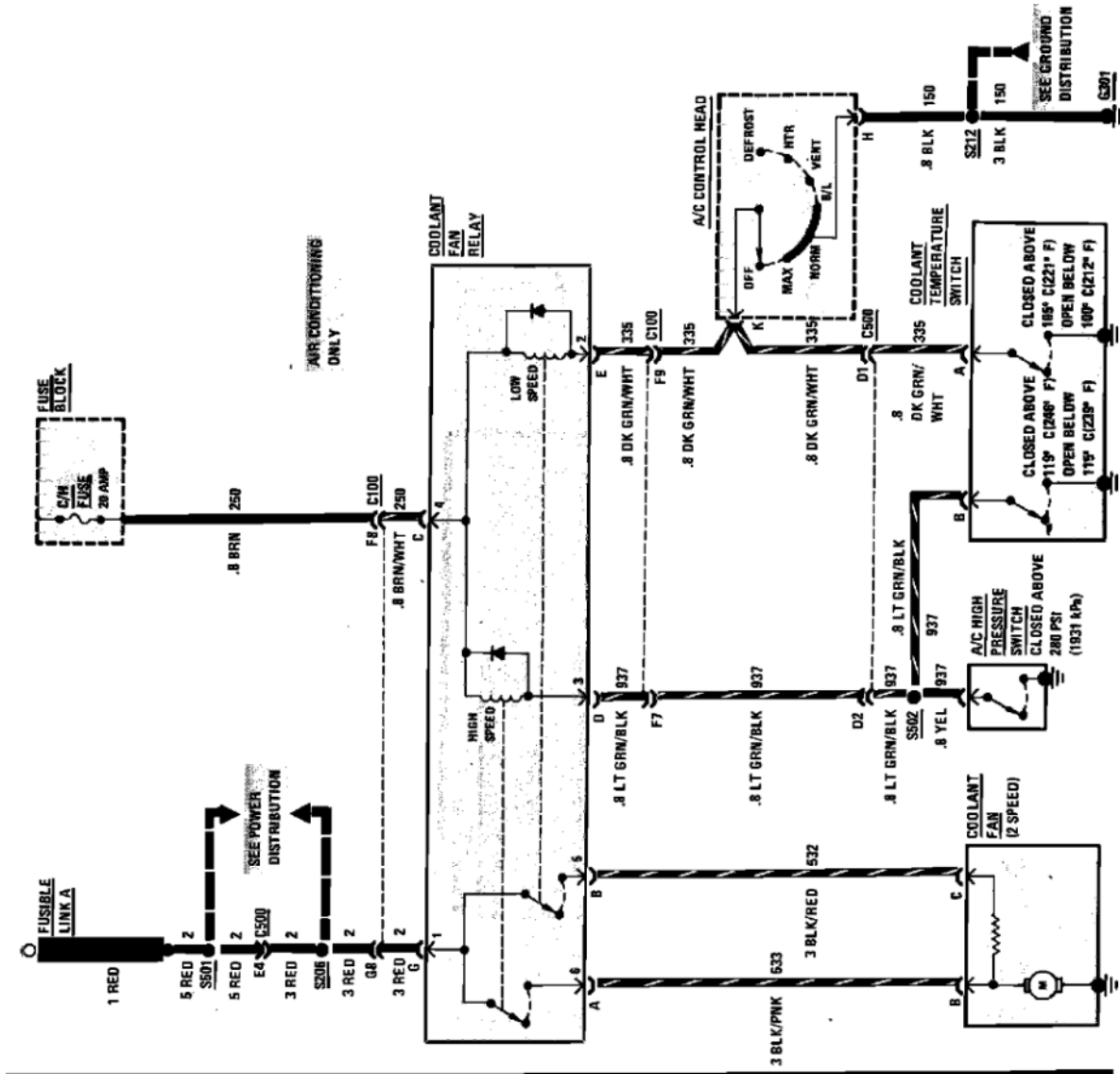
Splices

S101-Front Lights Harness, Below Side Marker
 S102-Front Lights Harness, RH Front Of Front Compartment
 S103-Front Lights Harness, LH Front Of Front Compartment
 S104-Front Lights Harness, LH Front Of Front Compartment
 S106-Heater A/C-Harness, Center Of Front Bulkhead
 S107-Heater A/C-Harness, RH Side Of Front Bulkhead
 S201-I/P Harness, Left Of Steering Column
 S203-Main Harness, Above Steering Column
 S204-Main Harness, To Right Of Steering Column
 S205-Main Harness, Above Steering Column
 S206-Main Harness, Above LH Side Of Steering Column
 S207-Main Harness, Left Of Steering Column
 S208-Main Harness, Right Of Steering Column
 S209-Main Harness, Right Of Steering Column
 S210-Main Harness, Behind RH Side Of Cluster
 S211-Main Harness, Behind RH Side Of Cluster
 S212-Main Harness, Behind Center Of Dash
 S213-Main Harness, Behind Shift Lever
 S301-Cross Car Harness, Between Seats
 S302-Cross Car Harness, Between Seats
 S303-Cross Car Harness, Above Steering Column
 S304-Cross Car Harness, Above Steering Column
 S305-Electric Mirror Cross Car Harness, Right Of Steering Column
 S306-Electric Mirror Cross Car Harness, Right Of Steering Column
 S307-Seat Speaker Harness, Near Rear Bulkhead
 S308-Seat Speaker Harness, Near Rear Bulkhead
 S309-Seat Speaker Harness, Near Rear Bulkhead
 S310-Seat Speaker Harness, Near Rear Bulkhead
 S401-Rear Lights Harness, LH Side Of Back Panel
 S402-Rear Lights Harness, LH Side Of Back Panel
 S403-Rear Lights Harness, RH Side Of Back Panel
 S404-Rear Lights Harness, RH Side Of Back Panel
 S501-Engine Harness, Under Intake Manifold
 S502-Engine Harness, LH End Of Engine
 S504-TBI Harness, In Front Of Rear Bulkhead
 S505-TBI Harness, In Front Of Rear Bulkhead
 S506-TBI Harness, In Front Of Rear Bulkhead
 S507-TBI Harness, In Front Of Rear Bulkhead
 S508-TBI Harness, In Front Of Rear Bulkhead
 S509-TBI Harness, In Front Of Rear Bulkhead
 S510-TBI Harness, In Front Of Rear Bulkhead
 S511-TBI Harness, Rear Of Engine
 S512-TBI Harness, In Front Of Rear Bulkhead

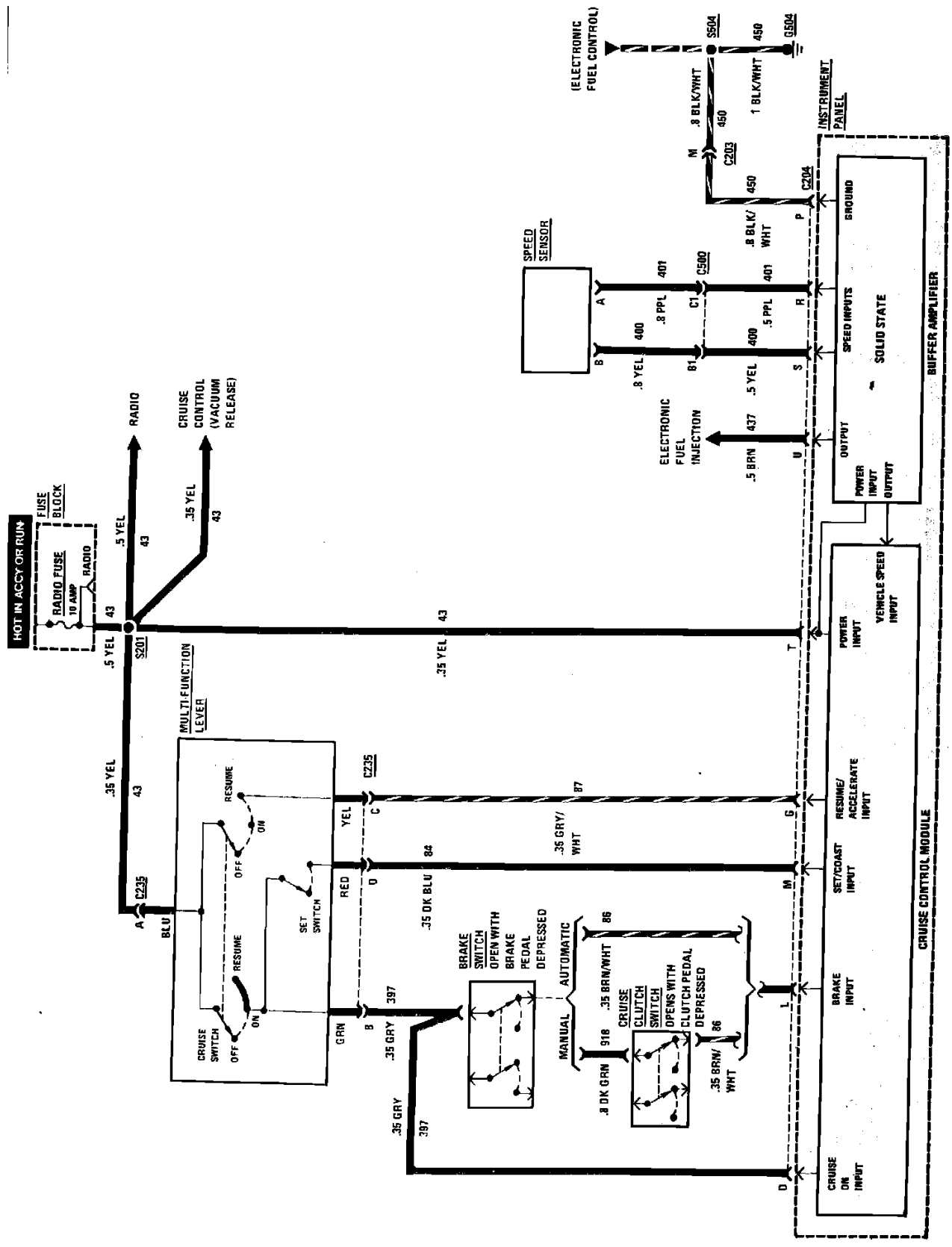


Air Conditioning Wiring Circuit (Part 1 of 2)

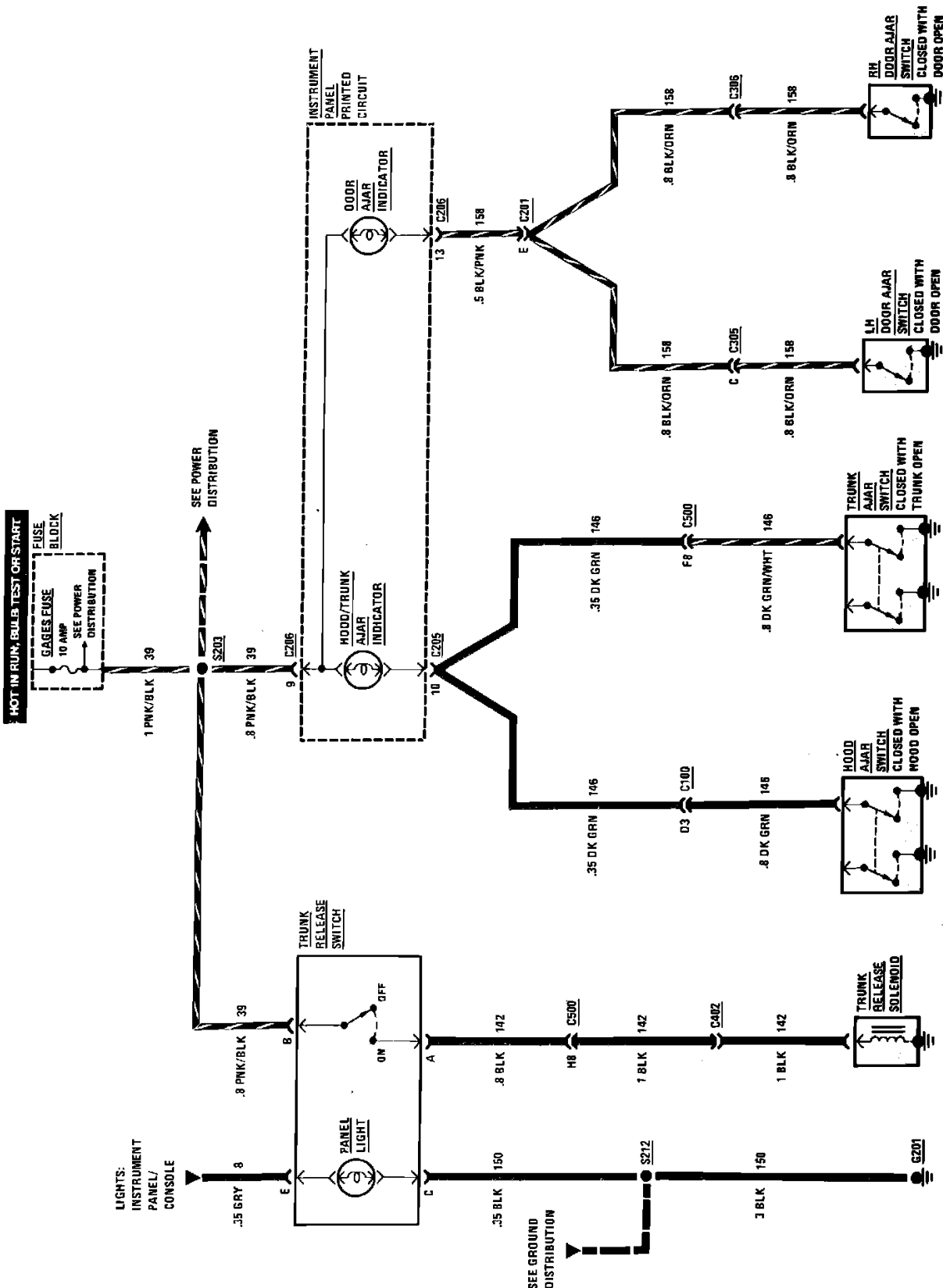
Cooling System



Coolant Fan Wiring Circuit

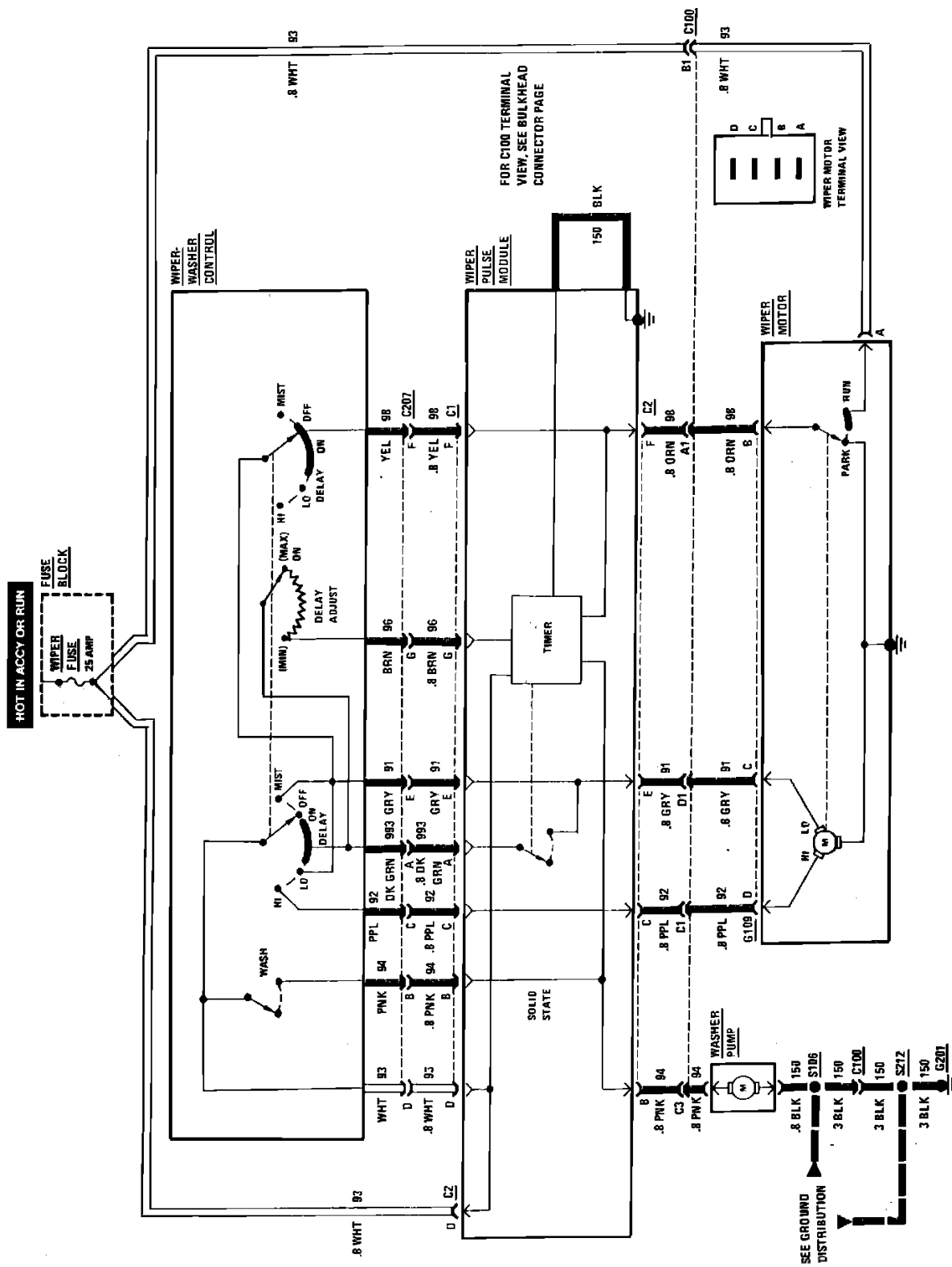


Cruise Control Wiring Circuit
Part 1 of 2



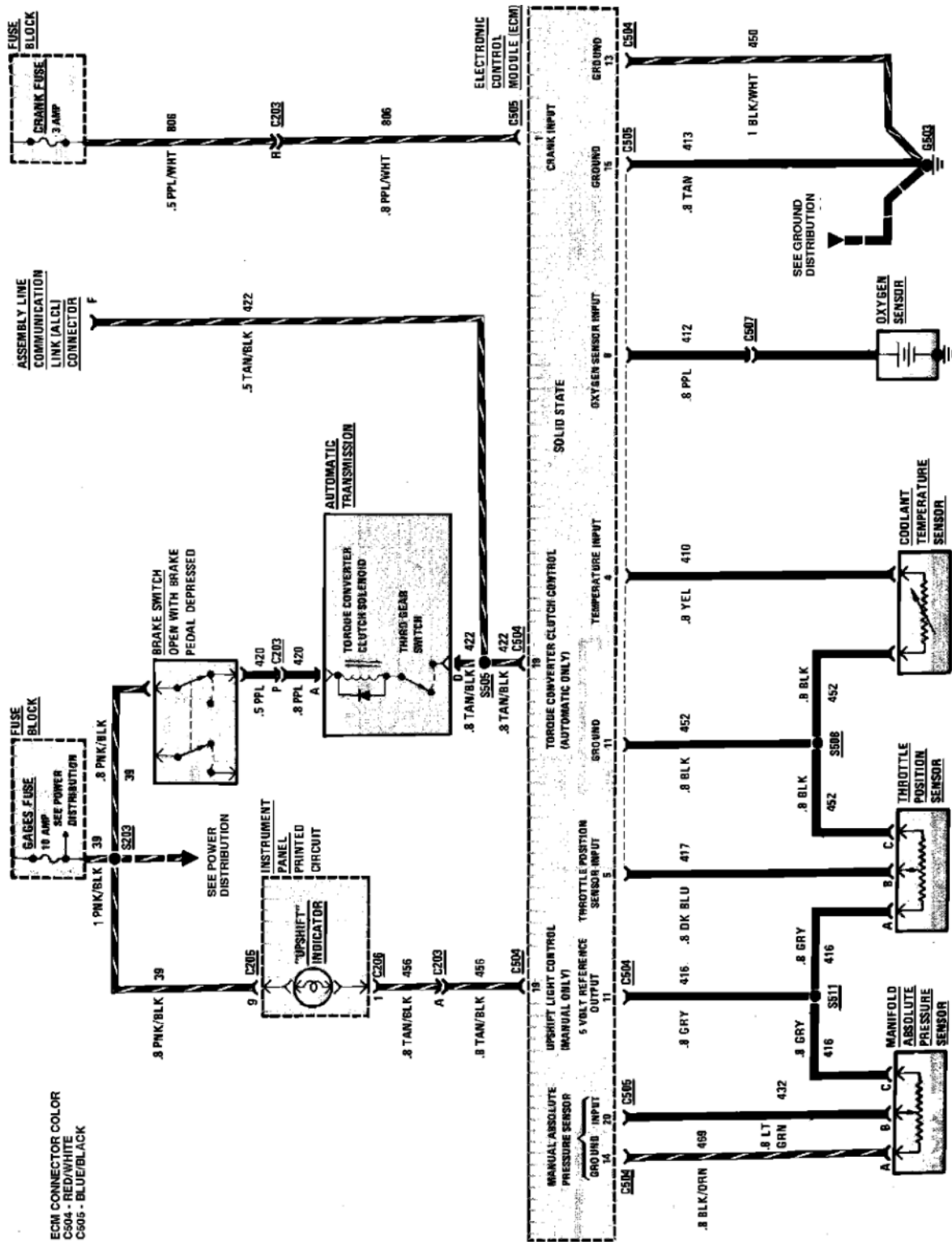
Trunk Release & Door, Hood & Trunk Ajar Indicator Wiring Circuit

Wiper/Washer Wiring Circuit With Pulse



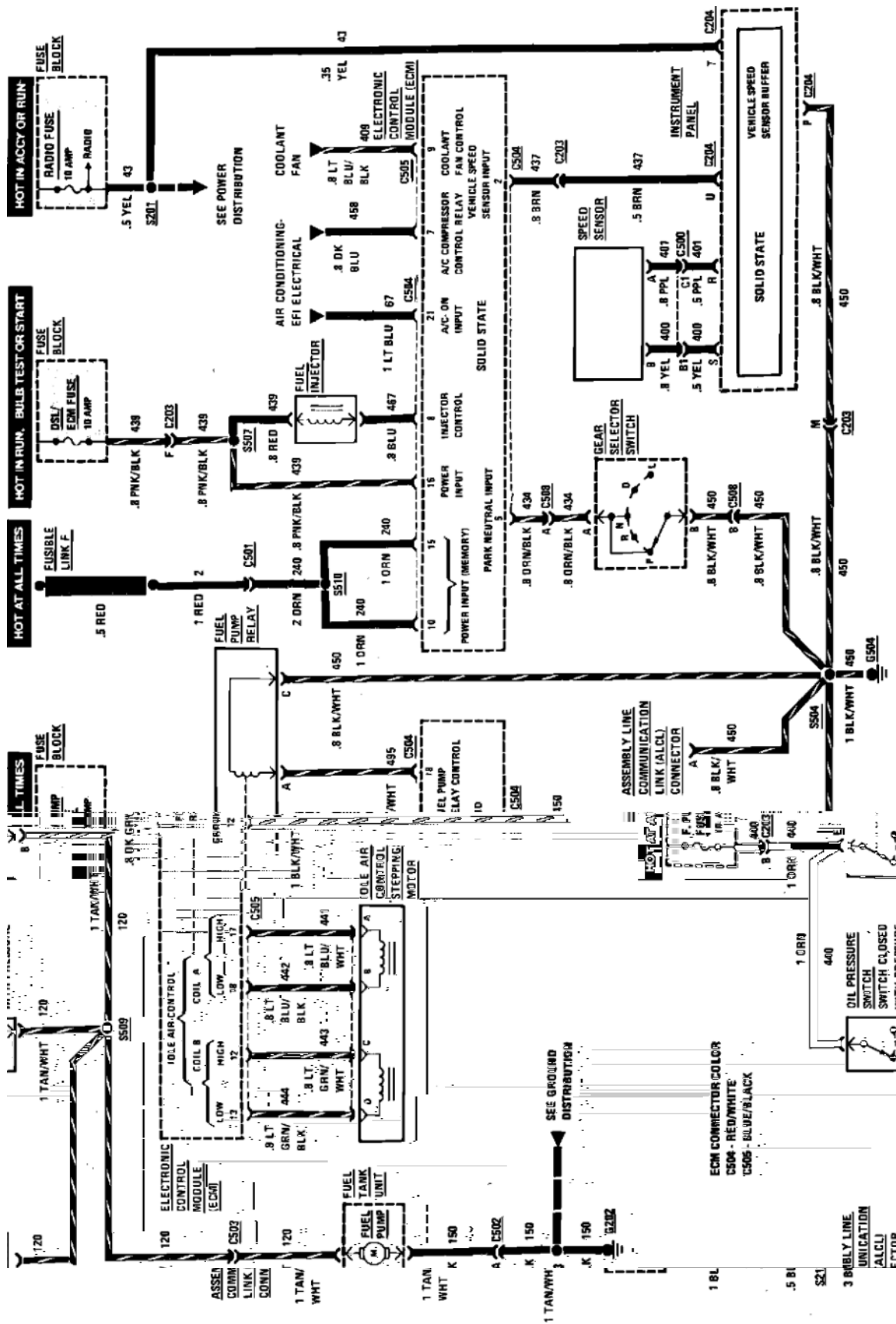
Wiper/Washer Wiring Circuit (W/Pulse Wipe)

Engine Data Sensors, Torque Converter & Upshift Indicator



Electronic Fuel Injection Wiring Circuit (Engine Data Sensors, Torque Converter Clutch & Upshift Indicator)

Fuel Control, Idle Air Control & Vehicle Speed Sensors



Electronic Fuel Injection Wiring Circuit (Fuel Control, Idle Air Control & Vehicle Data Sensors)

ECM Wiring Diagrams: Black Connector VIN R, VIN 2

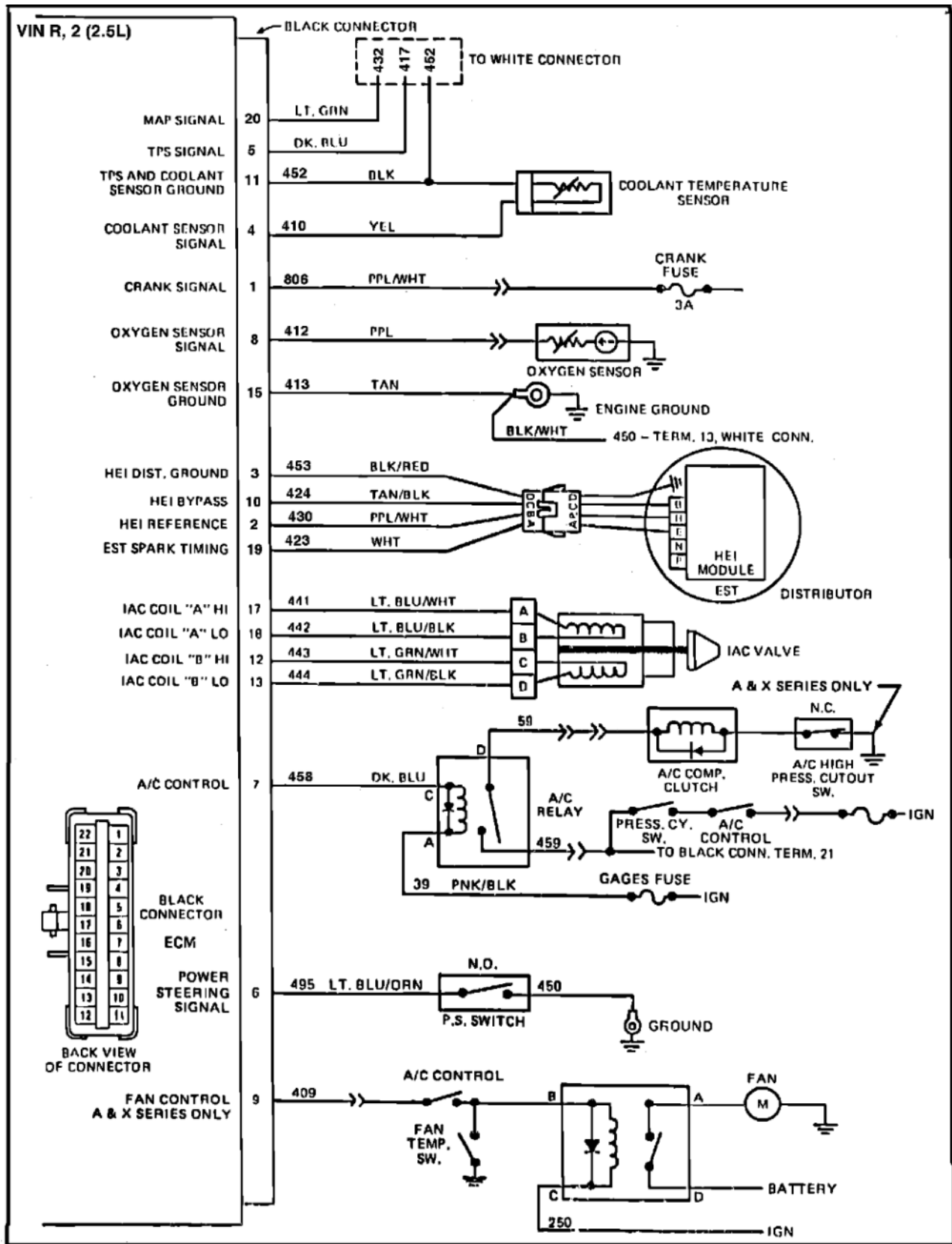


Fig. 025 ECM Wiring Diagrams